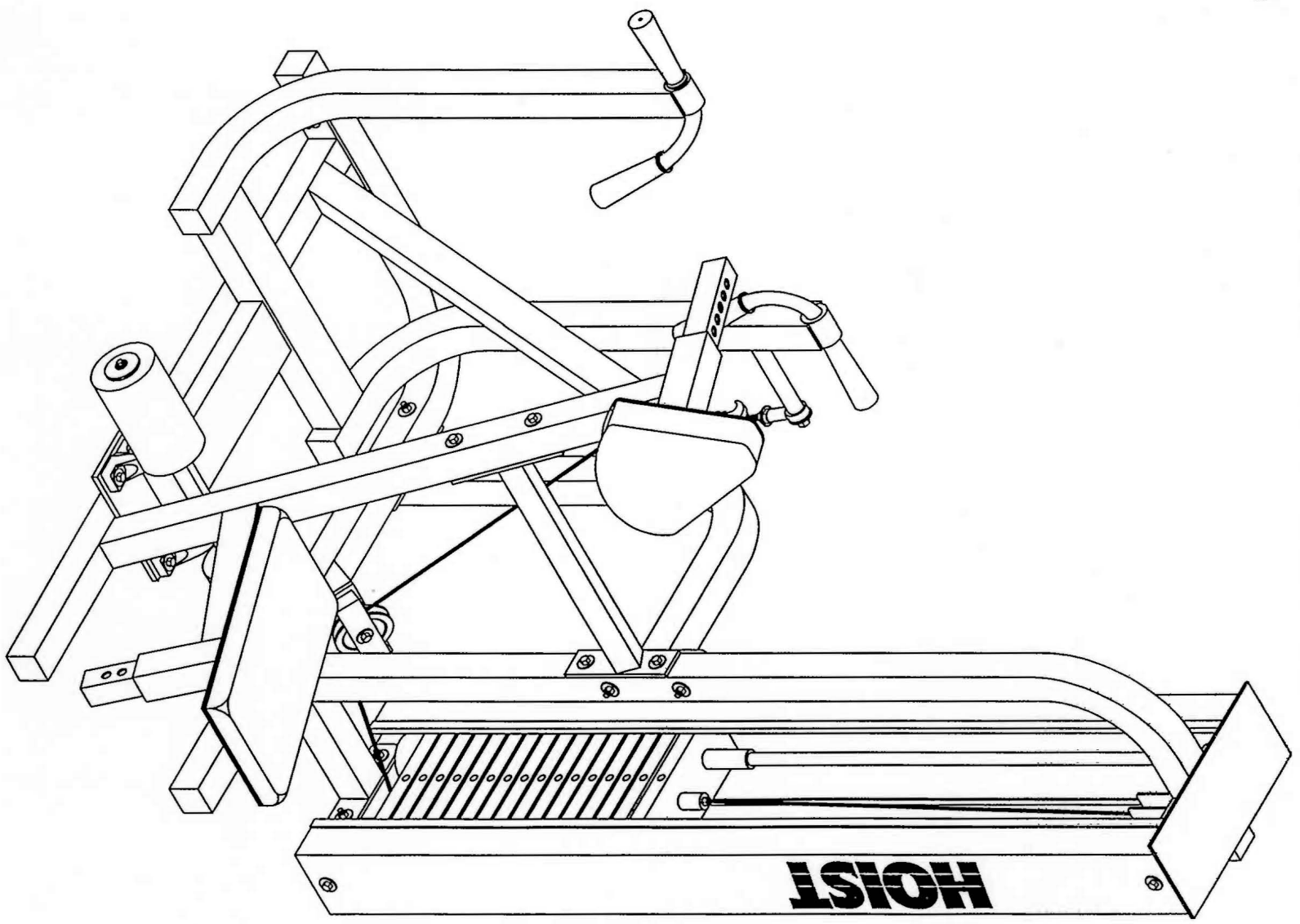
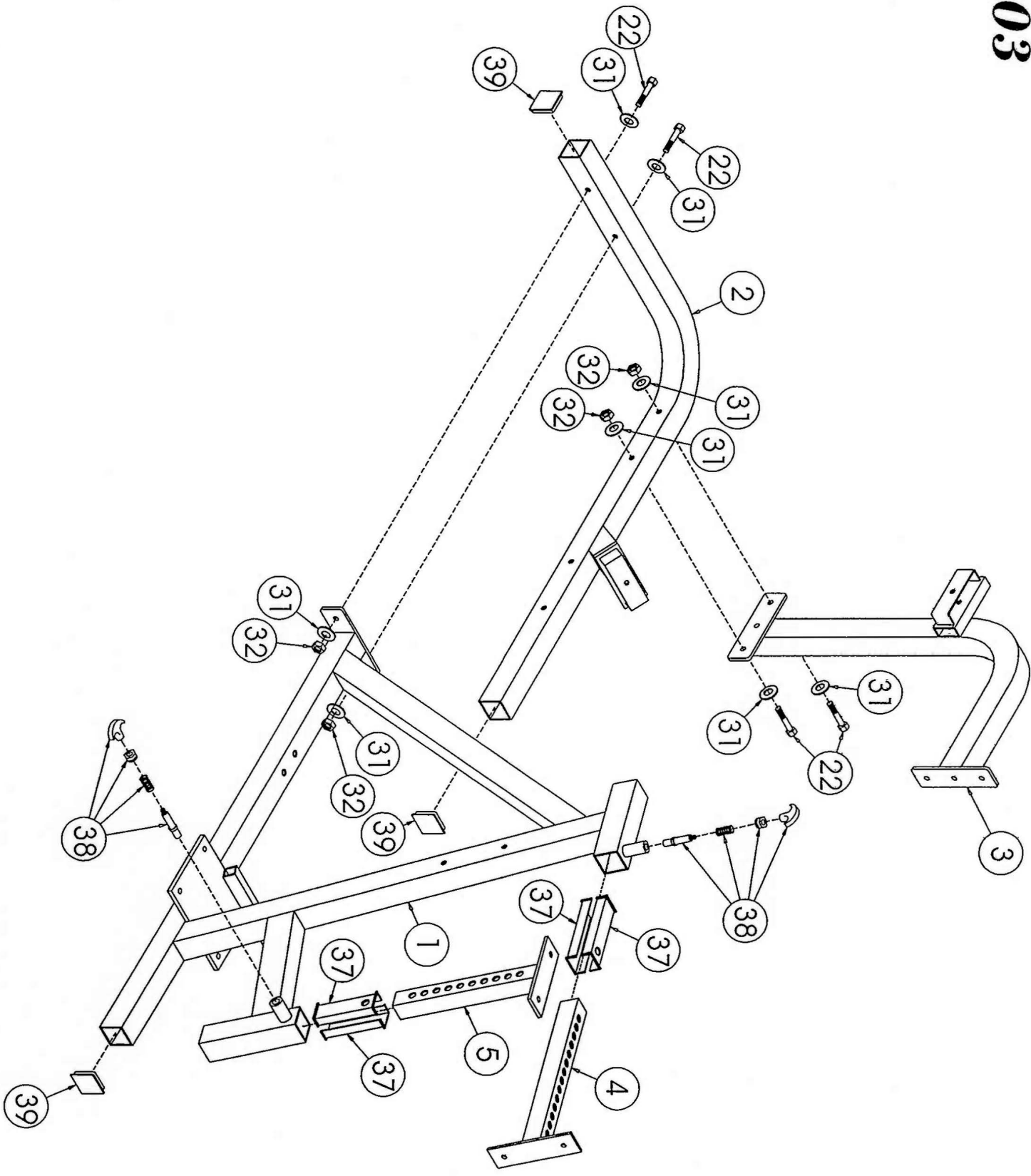


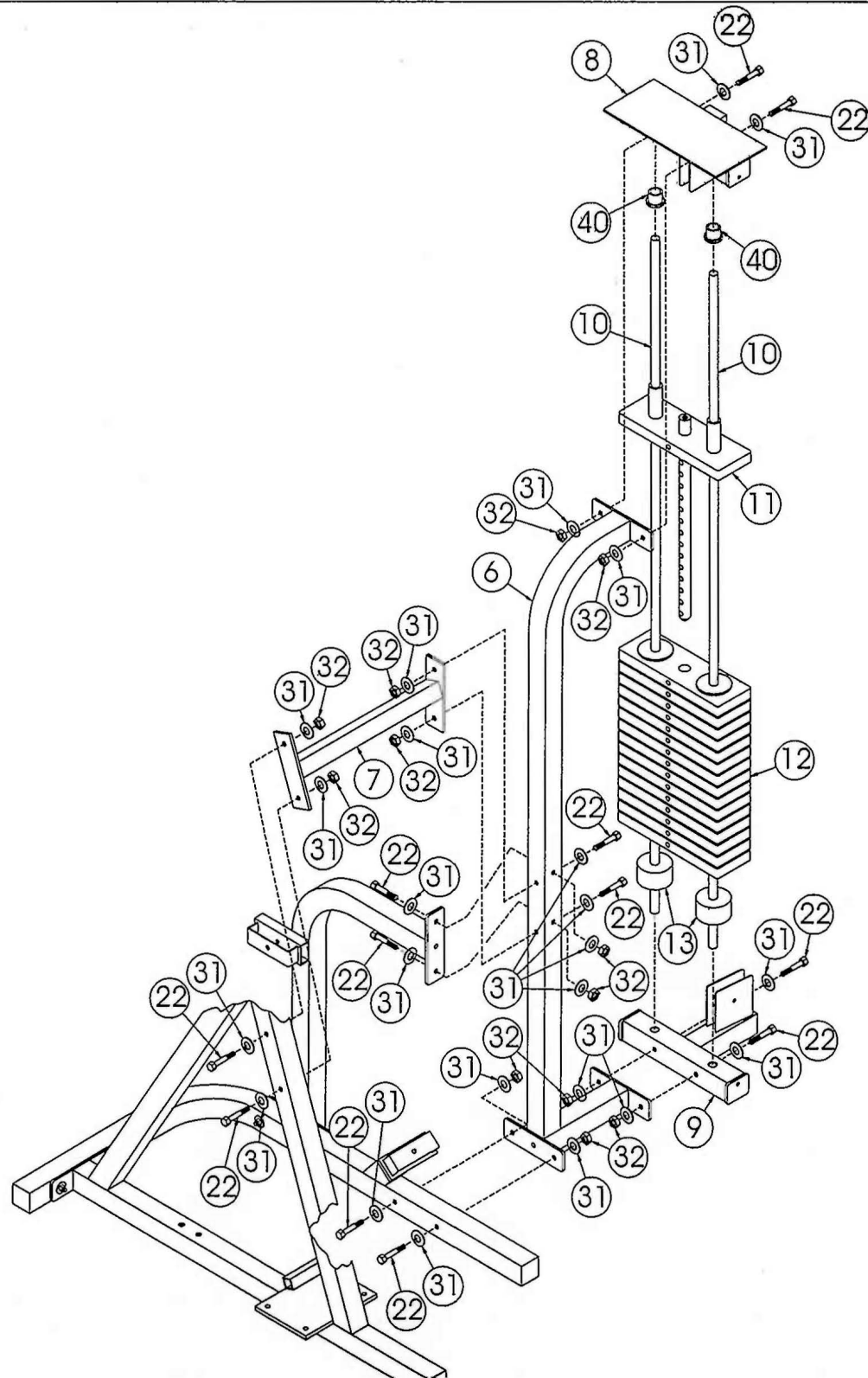
HOIST
FITNESS SYSTEMS

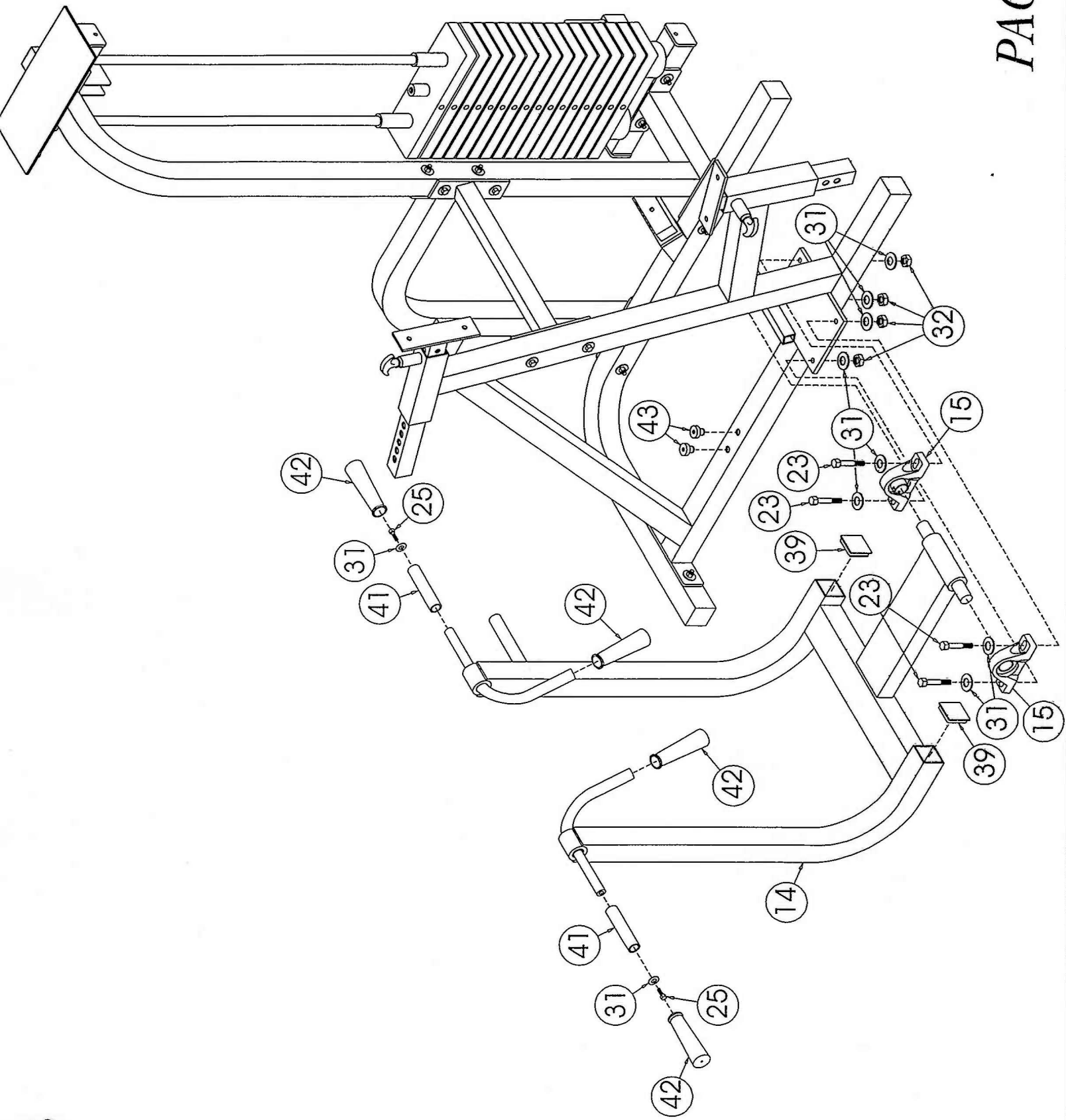
S203

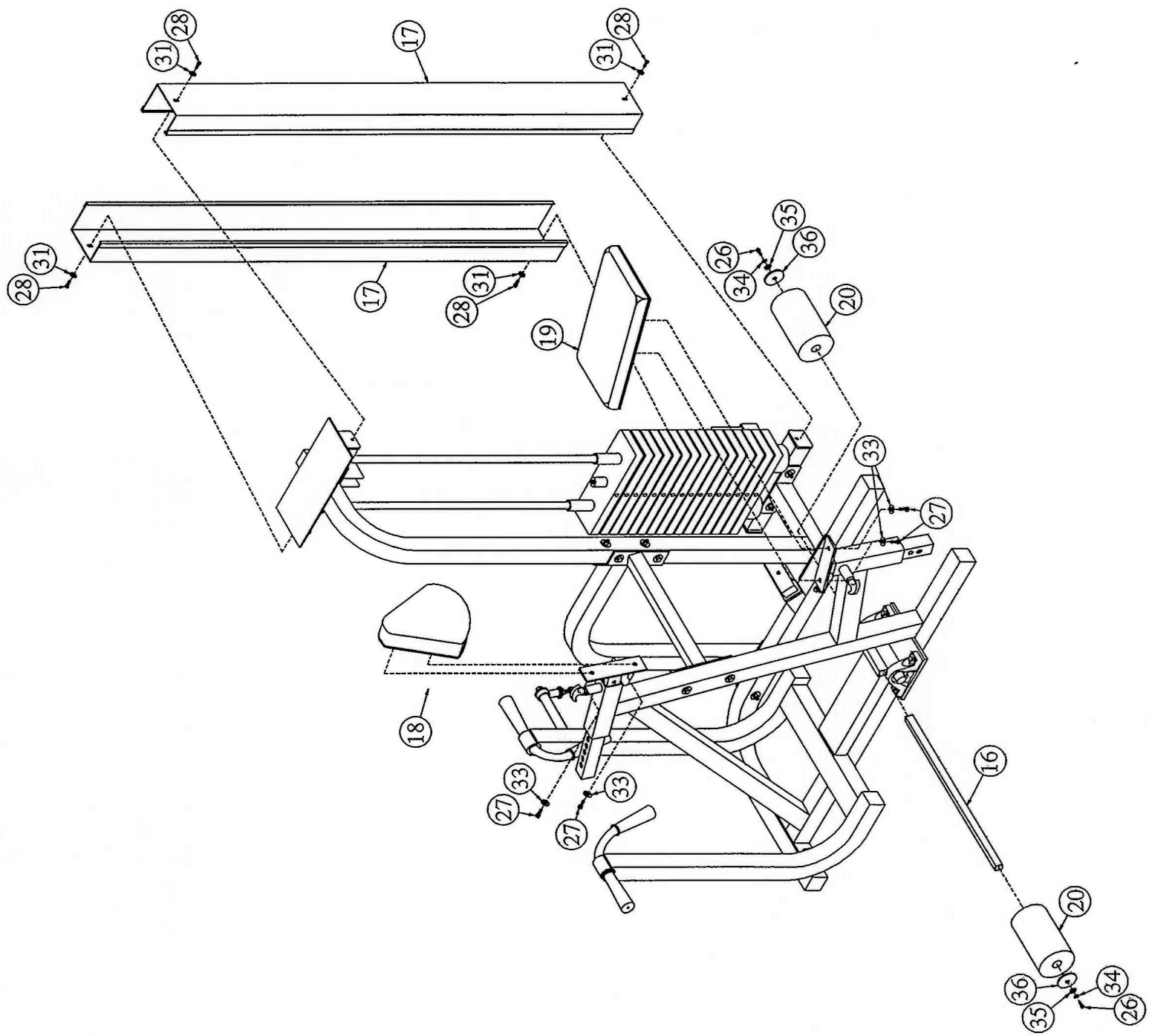
SEATED ROW

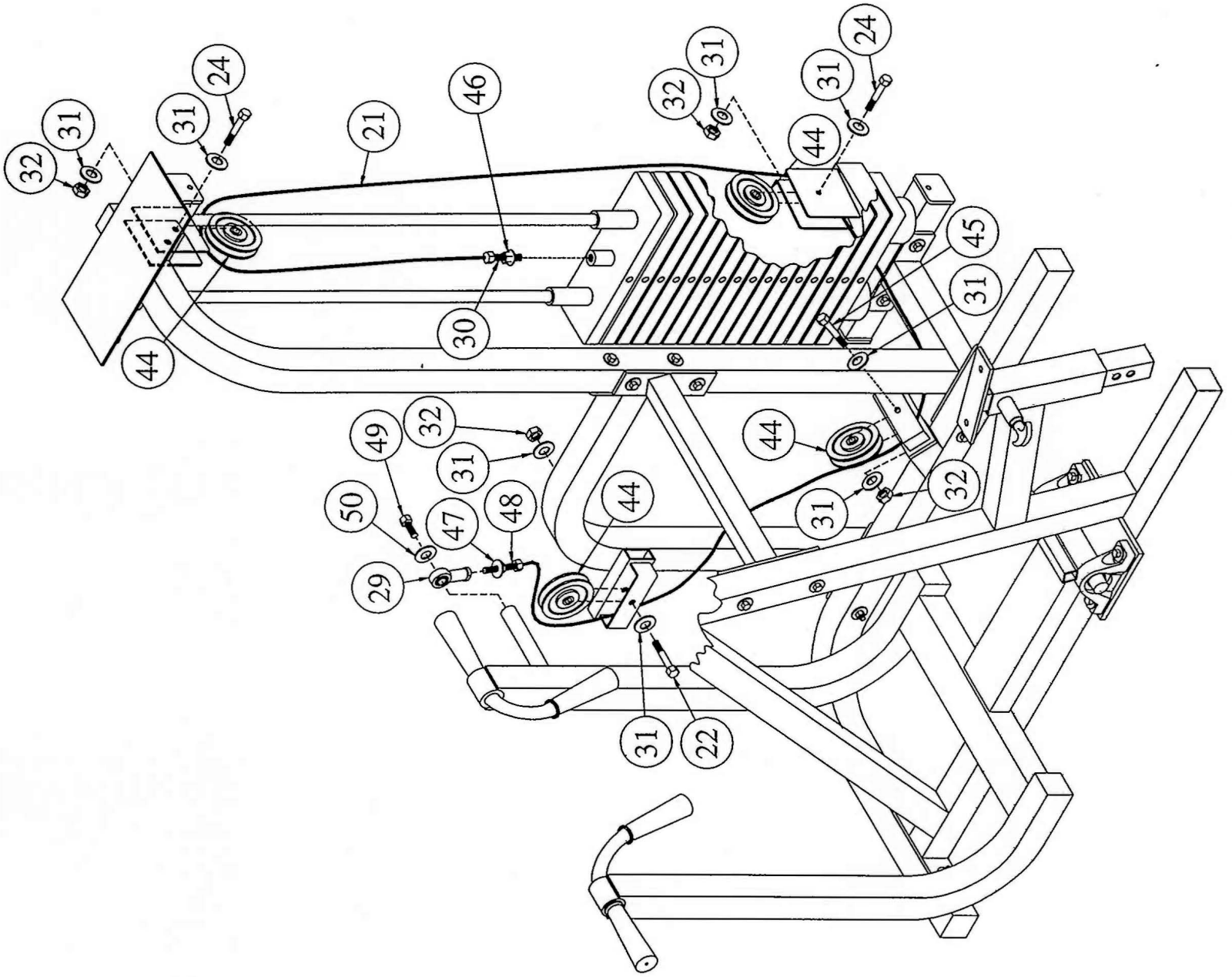












Key No.	Qty.	Part Number	Description
1	1	61-S203-01	Seat Assembly
2	1	61-S203-11	Main Support
3	1	61-S203-10	Brace Assembly
4	1	61-S203-06	Chest Pad Mount
5	1	61-S203-07	Seat Mount
6	1	61-S203-02	Main Upright
7	1	61-S203-03	Crossmember
8	1	61-S203-04	Weight Stack Top
9	1	61-S203-05	Weight Stack Bottom
10	2	26-STD-SG107	3/4" x 59 3/4" Guide Rod
11	1	26-STD-W100	Steel Top Plate w/Stem
12	15	26-STD-W101	12 1/2" Lb. Steel Weight Plate
13	2	19-WSB-12	1 1/2" Rubber Donut
14	1	61-S203-081	Arm Assembly
15	2	14-BRG-RAD1PILP	Pillow Block
16	1	61-S203-09	Roller Mount
17	2	26-STD-SSH120	Shield
18	1	26-STD-SU815	Chest Pad 8" X 15" Tapered Shell
19	1	26-STD-SU911A	Seat Pad 9" X 11" Tapered Shell
20	2	17-RLR-7	7" Roller Pad
21	1	26-STD-SC132	Cable (143 1/4" LG.)
22	17	11-HEX-38234	3/8 x 2 3/4 Hex Bolt
23	4	11-HEX-38314	3/8 x 1 1/2 Hex Bolt
24	2	11-HEX-38134	3/8 x 2 Hex Bolt
25	2	11-NYL18(16)-1	3/8 x 1 Nyloc Hex Bolt
26	2	11-HEX-141	1/4 x 1 Hex Bolt
27	4	11-HEX-51614	5/16 x 1 1/4 Hex Bolt
28	4	11-HEX-381	3/8 x 1 Hex Bolt
29	1	14-END-F1220	Rod End (Female)
30	1	26-STD-SM186	1/2-13 x 1 1/4 Cable Bolt
31	54	13-FLT-38	3/8 USS Flat Washer
32	24	12-LOC-38	3/8 Center Lock Reversible Bolt
33	4	13-FLT-516	5/16 USS Flat Washer
34	2	13-LOC-14	1/4 Lock Washer
35	2	13-FLT-14	1/4 USS Flat Washer

